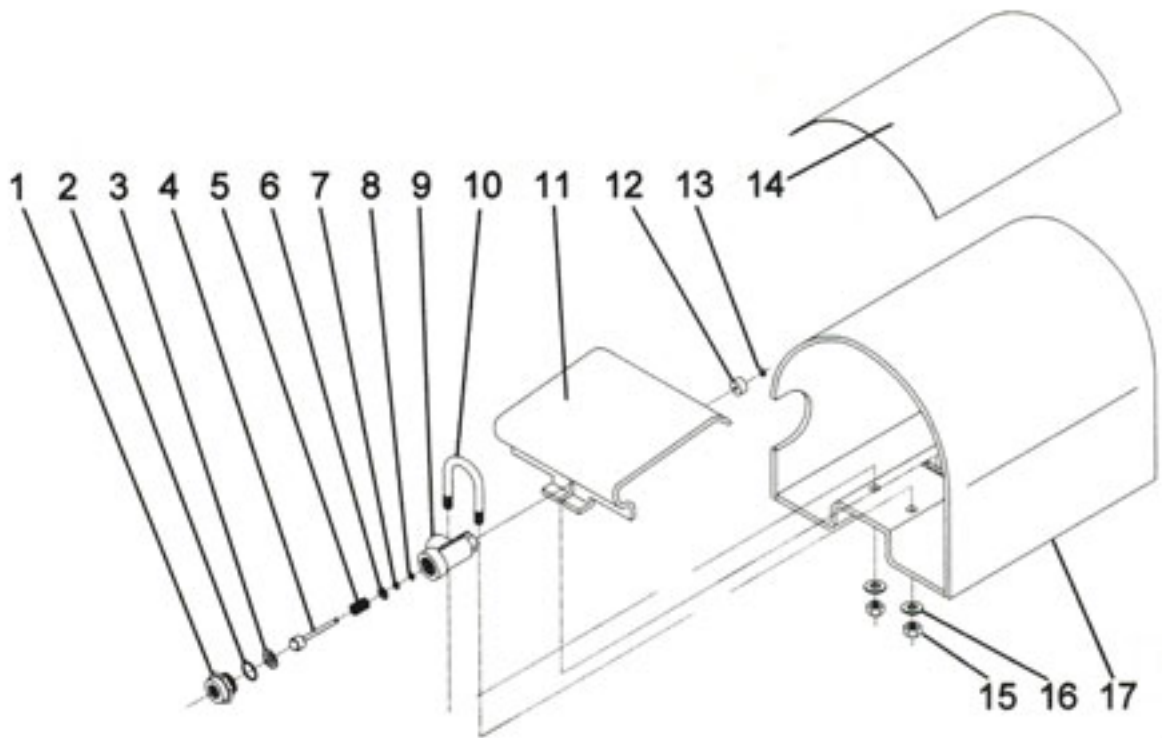


Foot Actuated Valve



#999000012

| <i>Item</i> | <i>Order #</i> | <i>Description</i> |
|-------------|----------------|----------------------------|
| 1 | 100000091 | Outlet |
| *2 | 050000040 | O-ring |
| *3 | 040000325 | Seat, Stainless Steel |
| *4 | 200810490 | Piston rod, Complete |
| *5 | 060000560 | Spring |
| *6 | 010003000 | Washer, Brass Guide |
| *7 | 050000260 | O-ring |
| *8 | 050000640 | Back-up ring, Teflon |
| 9 | 010000137 | Housing, Brass Valve |
| 10 | 900000015 | U-bolt, 1/4" x 1 w |
| 11 | 900000014 | Pedal, Foot Valve |
| 12 | 020001790 | Retainer, Plastic |
| *13 | 060000195 | Lock ring, Stainless Steel |
| 14 | 900000018 | Decal, Foot Valve |
| 15 | 900000016 | Locknut, 1/4" - 20 unc |
| 16 | 900000017 | Washer, 1/4" flat |
| 17 | 900000013 | Housing, Foot Valve |
| * | 200810491 | Repair Kit |
| | 200851484 | Valve complete |