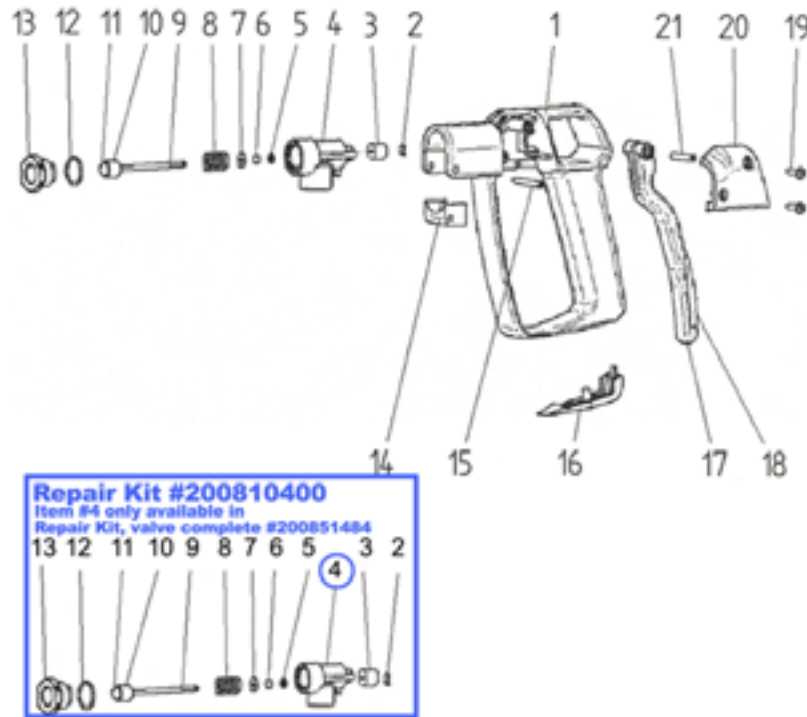


# ST-810 Spray Gun #200810510



## ST-810 #200810510

| Item    | Order #       | Description                            |
|---------|---------------|--|
| 1       | 020001767     | Plastic housing                        |
| 2       | In Repair Kit | Lock ring, stainless steel             |
| 3       | In Repair Kit | Washer, plastic                        |
| 4       | In Repair Kit | Brass housing                          |
| 5       | In Repair Kit | Back ring                              |
| 6       | In Repair Kit | O-ring                                 |
| 7       | In Repair Kit | Brass washer                           |
| 8       | In Repair Kit | Spring                                 |
| 9       | In Repair Kit | Piston rod                             |
| 10      | In Repair Kit | Ball holder                            |
| 11      | In Repair Kit | Ball                                   |
| 12      | In Repair Kit | O-ring                                 |
| 13      | In Repair Kit | Outlet                                 |
| 14      | 020001880     | Plastic holder                         |
| 15      | 010001260     | Brass pin                              |
| 16      | 020001770     | Plastic housing with hand protection   |
| 17 & 18 | 200810495     | Trigger, complete                      |
| 19      | 040000050     | Screw                                  |
| 20      | 020001760     | Cover, plastic                         |
| 21      | 010001245     | Brass pin                              |
|         | 200810400     | Repair Kit ST-810                      |
|         | 200851484     | Repair Kit, valve complete Items #2-13 |