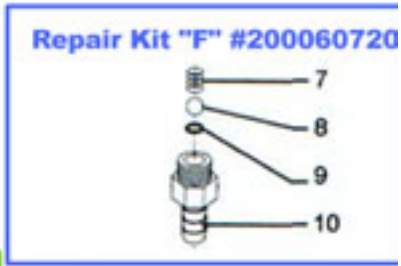
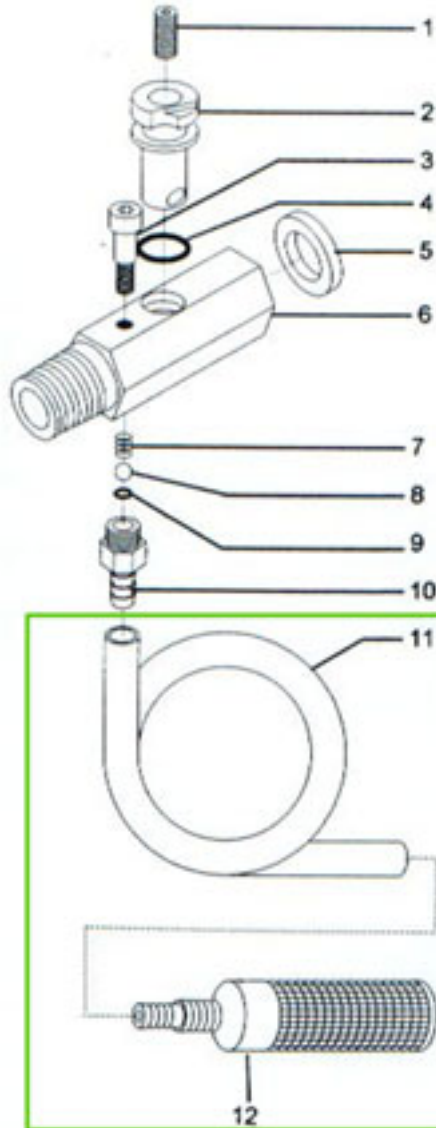


ST-64 Upstream Chemical Injector

#999000019, #999000021, #999000022, #999000023



Option:
Item # 11 & #12

ST-64

Item	Order #	Description
1	900000035	Adjustment Screw
2	900000034	Plunger, 1.5-4.0 GPM
	900000042	Plunger, 4.0-7.0 GPM
3	900000036	Shoulder Bolt, 1/4" x 3/8"
4	050000700	O-ring
5	900000040	Washer, Garden Hose
6	900000033	Body, 3/4" GHT Injector
	900000043	Body, 1/2" NPT Injector
*7	In Repair Kit	Spring
*8	In Repair Kit	Stainless Steel Ball
*9	In Repair Kit	O-ring
*10	In Repair Kit	Hose barb
	200060200	Hose barb with o-ring
11	900000041	Hose, Clear Vinyl 1/4" x 4'
12	200031600	Strainer, Chemical
*	200060720	Repair kit "F"
Not included	900000037	Adjusting Wrench